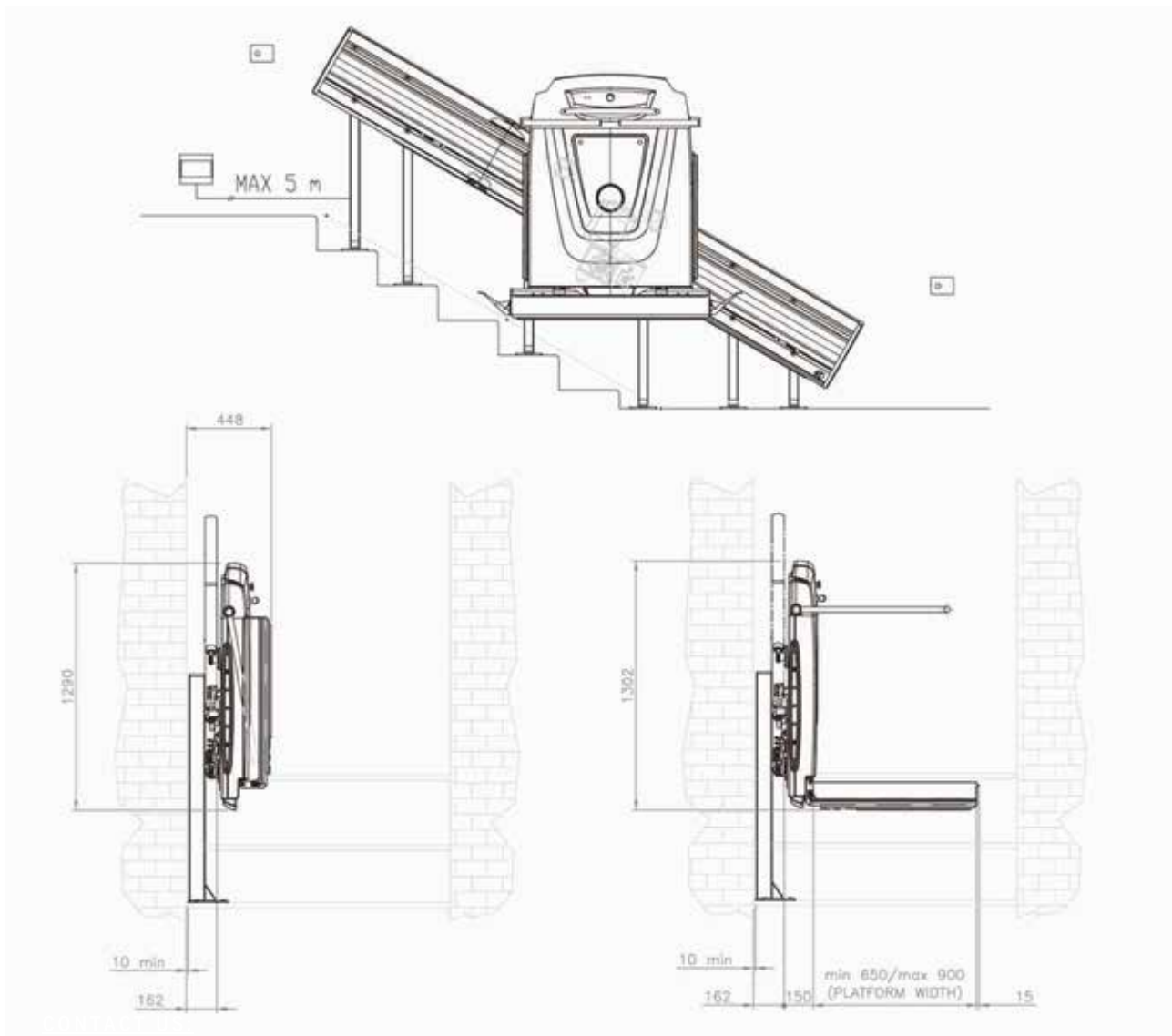


RPsp Dimensions



Technical Specifications

Rated load	:325 kg (0 - 36) - 250kg (up to 45)
Speed	:0.07 m/s (0.14 m/s for three-phase motor)
Power	:0.75 kw (max)
Power supply	:230 Voc 50/60 Hz single-phase
Maximum travel	:40 m
Standard platforms	:860 mm x 650 mm 860 mm x 710 mm 1050 mm x 850 mm 1250 mm x 850 mm
Max angle of incline	:Up to 45
Norm compliance	:D.M.236/89; EN 81-40; TuV 103; Machine Drive 2006/42/EC
Certifications	:TUV CE

Options

- * Customized platform size
- * Motorized opening/closing platform
- * On wall remote control
- * Outdoor version (IP55)
- * High speed (0.14 m/x) version
(soft start included 0.75 kw motor)
- * Anti-blackout device (available with
the high speed version only)
- * Radio remote control
- * Mobile long side flap
- * Foldable seat
- * Cover cloth

RPsp

RPsp is made using high value material. All the exposed surfaces/parts (rail, platform, safety bars) are made of anodized aluminium to guarantee you a rust free product. High precision construction and a pleasant design confirm the excellence of our product. The rail design allows to be in harmony with every environment and can be used as a handrail.

RPsp can be installed both on vertical stanchions as well as directly onto the wall.

RPsp (CE, TUV certified) is compliant to the European Machine Directive 2006/42/CE and En81-40. The lift is fitted with anti-crushing and anti-shearing safety devices. An overload sensor is also available as option. A rated load of 325kg and platform dimension up to 1250x900mm make the RPsp an actual heavy duty product.

RPsp is suitable for indoor and outdoor installations (IP55 version is also available).



ULTIMATE
LIFT

ULTIMATE LIFT CO., LTD.

1782 Debaratna Road, South Bangna, Bangna, Bangkok 10260 THAILAND

Tel: 088-321-7890

Email : sales@ultimatelift.co.th